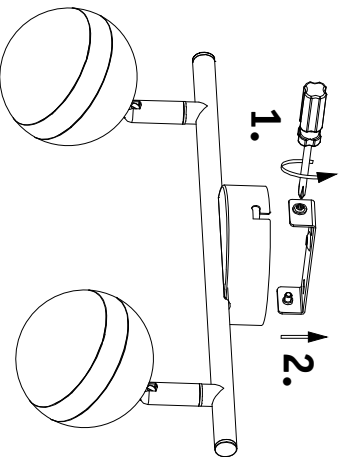
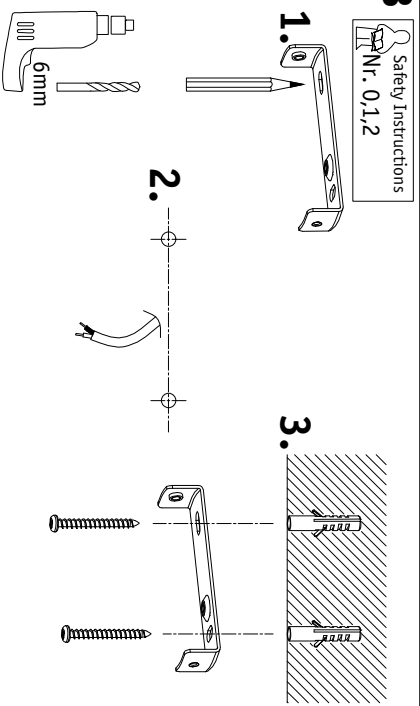


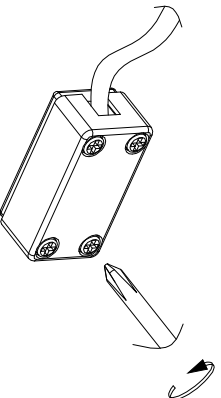
A



B

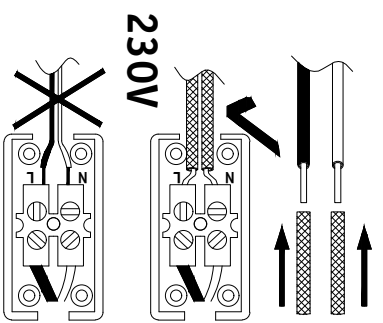
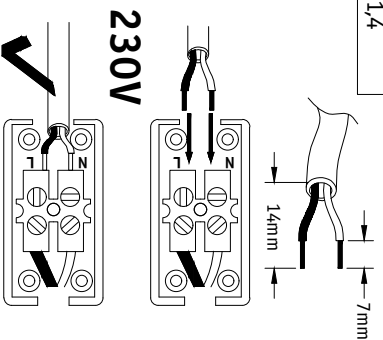


C



D

Safety Instructions
PUP-Nr. 0,1,4



E

